



Stainless Steel Table with Shelf Guide



Superior by Design

Stainless steel tables reimaged and re-engineered from the ground up to eliminate tubular frames and hollow components.

Always Stainless

High quality materials result in high quality products for sanitary environments.



Fully Formed

No tubing or hollow components whatsoever, eliminating areas for bacteria and contaminants to harbor.



Simple Sanitation

Engineered with sanitation and maintenance teams in mind. Simple designs mean simple, less time-consuming sanitation.

Selection

Choose from five different footing options and eight different dimensions to find the table best suited for your needs.

Durable

Built to withstand prolonged use and harsh routine sanitation.

SSL Industries, LLC

Phone: (920) 893-2991

Get a Quote: sales@sslindustries.com

www.sslindustries.com



Top

The top is formed of 11 gauge / 304 stainless steel and TIG welded complete to the frame. Our patented design eliminates all closed channels and requires no nuts, bolts, or threads for assembly.

Frame

The frame is constructed of 11 gauge / 304 stainless steel and utilizes completely formed components (*no tubular or hollow components*). The frame is TIG welded complete and the table is fully assembled. Weight capacity = 1,200 lbs.

Shelf

The shelf is formed of 14 gauge / 304 stainless steel and TIG welded complete to the frame at 12"H.

Finish

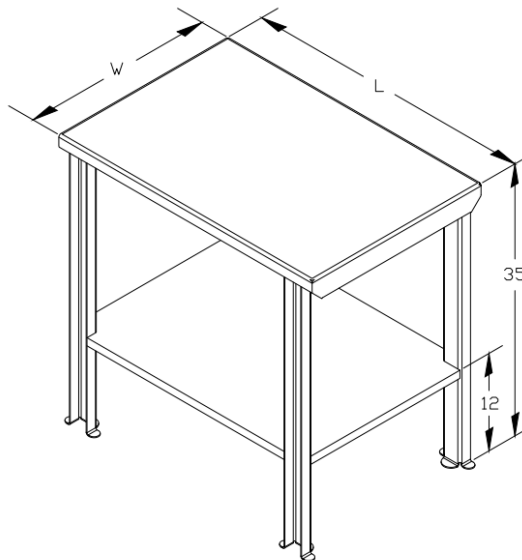
All components receive a dual-action medium Scotch-Brite finish and all welds are passivated.

Footing Options

- Paw Print
- Casters
- UHMW Pads
- Adjustable Pads
- Adjustable UHMW Pads

Shipping

All tables ship LTL/FTL



Standard Dimensions

Length	Width	Height
36"	24"	35"
36"	30"	35"
48"	24"	35"
48"	30"	35"
60"	24"	35"
60"	30"	35"
72"	24"	35"
72"	30"	35"

SSL Industries, LLC

Phone: (920) 893-2991

Get a Quote: sales@sslindustries.com

www.sslindustries.com



- SSL Industries' proprietary design
- (3) Formed tabs on the base of the foot for ample stability
- Most preferred option by regulatory bodies due to inherit clean design and sanitation
- USDA Accepted Equipment
- Per the USDA, compliant with the NSF/ANSI/3-A SSI-14159-1-2019 Hygiene Requirement for the Design of Meat and Poultry Processing Equipment

Model No.	Dimensions			Footing	Price / Ea. @ Qty:		
	L	W	H		1	5	10
SSL-1001-S-36X24	36"	24"	35"	Paw Print	\$1,360	\$1,310	\$1,265
SSL-1001-S-36X30	36"	30"	35"	Paw Print	\$1,510	\$1,455	\$1,405
SSL-1001-S-48X24	48"	24"	35"	Paw Print	\$1,575	\$1,520	\$1,465
SSL-1001-S-48X30	48"	30"	35"	Paw Print	\$1,770	\$1,710	\$1,650
SSL-1001-S-60X24	60"	24"	35"	Paw Print	\$1,835	\$1,770	\$1,710
SSL-1001-S-60X30	60"	30"	35"	Paw Print	\$2,075	\$2,005	\$1,935
SSL-1001-S-72X24	72"	24"	35"	Paw Print	\$2,095	\$2,020	\$1,950
SSL-1001-S-72X30	72"	30"	35"	Paw Print	\$2,380	\$2,300	\$2,220

SSL Industries, LLC

Phone: (920) 893-2991

Get a Quote: sales@sslindustries.com

www.sslindustries.com



- Standard 4" solid blue polyurethane wheels
- (2) Rigid and (2) swivel with total locking brakes
- Load capacity of 300 lbs. per caster (1,200 lbs. per table)
- Temperature resistance -40°F to +180°F
- 1/2" Stainless steel spacers between footing and caster plates
- Stainless steel carriage bolts and acorn nuts
- USDA Accepted Equipment
- Per the USDA, compliant with the NSF/ANSI/3-A SSI-14159-1-2019 Hygiene Requirement for the Design of Meat and Poultry Processing Equipment

Model No.	Dimensions			Footing	Price / Ea. @ Qty:		
	L	W	H		1	5	10
SSL-1001-C-S-36X24	36"	24"	35"	1/2" SS Spacers & 4" Casters	\$1,660	\$1,600	\$1,545
SSL-1001-C-S-36X30	36"	30"	35"	1/2" SS Spacers & 4" Casters	\$1,810	\$1,745	\$1,685
SSL-1001-C-S-48X24	48"	24"	35"	1/2" SS Spacers & 4" Casters	\$1,875	\$1,810	\$1,745
SSL-1001-C-S-48X30	48"	30"	35"	1/2" SS Spacers & 4" Casters	\$2,070	\$1,995	\$1,925
SSL-1001-C-S-60X24	60"	24"	35"	1/2" SS Spacers & 4" Casters	\$2,135	\$2,060	\$1,985
SSL-1001-C-S-60X30	60"	30"	35"	1/2" SS Spacers & 4" Casters	\$2,375	\$2,290	\$2,210
SSL-1001-C-S-72X24	72"	24"	35"	1/2" SS Spacers & 4" Casters	\$2,395	\$2,310	\$2,230
SSL-1001-C-S-72X30	72"	30"	35"	1/2" SS Spacers & 4" Casters	\$2,680	\$2,585	\$2,495

SSL Industries, LLC

Phone: (920) 893-2991

Get a Quote: sales@sslindustries.com

www.sslindustries.com



- 1" Thick rectangular UHMW pads on the base of footing for ease of mobility
- Relieved corners on the base of the footing for drainage
- Stainless steel hex cap screws
- USDA Accepted Equipment
- Per the USDA, compliant with the NSF/ANSI/3-A SSI-14159-1-2019 Hygiene Requirement for the Design of Meat and Poultry Processing Equipment

Model No.	Dimensions			Footing	Price / Ea. @ Qty:		
	L	W	H		1	5	10
SSL-1001-P-S-36X24	36"	24"	35"	UHMW Pads	\$1,475	\$1,425	\$1,380
SSL-1001-P-S-36X30	36"	30"	35"	UHMW Pads	\$1,625	\$1,570	\$1,520
SSL-1001-P-S-48X24	48"	24"	35"	UHMW Pads	\$1,690	\$1,635	\$1,580
SSL-1001-P-S-48X30	48"	30"	35"	UHMW Pads	\$1,885	\$1,825	\$1,765
SSL-1001-P-S-60X24	60"	24"	35"	UHMW Pads	\$1,950	\$1,885	\$1,825
SSL-1001-P-S-60X30	60"	30"	35"	UHMW Pads	\$2,190	\$2,120	\$2,050
SSL-1001-P-S-72X24	72"	24"	35"	UHMW Pads	\$2,210	\$2,135	\$2,065
SSL-1001-P-S-72X30	72"	30"	35"	UHMW Pads	\$2,495	\$2,415	\$2,335

SSL Industries, LLC

Phone: (920) 893-2991

Get a Quote: sales@sslindustries.com

www.sslindustries.com



- 7GA stainless steel circular pads welded complete to thread, offering 1-3/4" of adjustability on all feet
- Relieved corners on the base of the footing for drainage
- Completely removable for washdown and sanitation
- Stainless steel hex nuts
- *NOTE: Adjustable feet not USDA Approved Equipment or NSF/ANSI/3-A Compliant due to exposed threads*

Model No.	Dimensions			Footing	Price / Ea. @ Qty:		
	L	W	H		1	5	10
SSL-1001-A-S-36X24	36"	24"	35"	Adjustable Pads	\$1,440	\$1,390	\$1,345
SSL-1001-A-S-36X30	36"	30"	35"	Adjustable Pads	\$1,590	\$1,535	\$1,485
SSL-1001-A-S-48X24	48"	24"	35"	Adjustable Pads	\$1,655	\$1,600	\$1,545
SSL-1001-A-S-48X30	48"	30"	35"	Adjustable Pads	\$1,850	\$1,790	\$1,730
SSL-1001-A-S-60X24	60"	24"	35"	Adjustable Pads	\$1,915	\$1,850	\$1,790
SSL-1001-A-S-60X30	60"	30"	35"	Adjustable Pads	\$2,155	\$2,085	\$2,015
SSL-1001-A-S-72X24	72"	24"	35"	Adjustable Pads	\$2,175	\$2,100	\$2,030
SSL-1001-A-S-72X30	72"	30"	35"	Adjustable Pads	\$2,460	\$2,380	\$2,300

SSL Industries, LLC

Phone: (920) 893-2991

Get a Quote: sales@sslindustries.com

www.sslindustries.com



Industries
CLEAN SAFE SIMPLE®

Stainless Steel Table
with Shelf & Adjustable UHMW Pads
Model Series *SSL-1001-AP-S*



- 7GA / 304 stainless steel circular pads welded complete to thread with 1" UHMW, offering 1-3/4" of adjustability on all feet
- Relieved corners on the base of the footing for drainage
- Completely removable for washdown and sanitation
- Stainless steel hex screw and nuts
- *NOTE: Adjustable feet not USDA Approved Equipment or NSF/ANSI/3-A Compliant due to exposed threads*

Model No.	Dimensions			Footing	Price / Ea. @ Qty:		
	L	W	H		1	5	10
SSL-1001-AP-S-36X24	36"	24"	35"	Adjustable UHMW Pads	\$1,480	\$1,430	\$1,385
SSL-1001-AP-S-36X30	36"	30"	35"	Adjustable UHMW Pads	\$1,630	\$1,575	\$1,525
SSL-1001-AP-S-48X24	48"	24"	35"	Adjustable UHMW Pads	\$1,695	\$1,640	\$1,585
SSL-1001-AP-S-48X30	48"	30"	35"	Adjustable UHMW Pads	\$1,890	\$1,830	\$1,770
SSL-1001-AP-S-60X24	60"	24"	35"	Adjustable UHMW Pads	\$1,955	\$1,890	\$1,830
SSL-1001-AP-S-60X30	60"	30"	35"	Adjustable UHMW Pads	\$2,195	\$2,125	\$2,055
SSL-1001-AP-S-72X24	72"	24"	35"	Adjustable UHMW Pads	\$2,215	\$2,140	\$2,070
SSL-1001-AP-S-72X30	72"	30"	35"	Adjustable UHMW Pads	\$2,500	\$2,420	\$2,340

SSL Industries, LLC

Phone: (920) 893-2991

Get a Quote: sales@sslindustries.com

www.sslindustries.com