



Model No. SSL-1602 Pictured

Top & Frame

Formed 11 gauge / 304 stainless steel (no hollow or tubular components).

Handle

Ø1" Stainless steel solid round stock.

Construction

All contact points are TIG welded complete and the truck is fully assembled. Weight capacity = 1,200 lbs.

Finish

All components receive a dual-action medium Scotch-Brite finish and all welds are passivated.

Footing

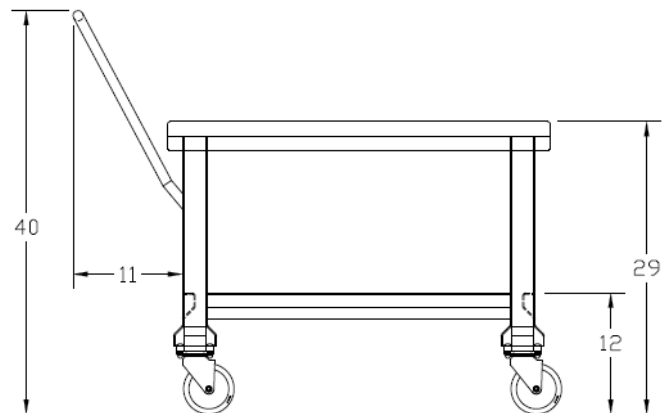
Casters – (2) 4" swivel with total locking brake & (2) 4" rigid casters with ½" stainless steel spacers and hardware.

Footing

All trucks ship fully assembled LTL/FTL.

Dimensional Options & Pricing

Model No.	Price / Ea. @ Qty:		
	1	5	10
SSL-1602 (36" x 24")	\$1,695	\$1,635	\$1,575
SSL-1603 (48" x 24")	\$1,860	\$1,795	\$1,730



SSL Industries, LLC

Phone: (920) 893-2991

Get a Quote: sales@sslindustries.com

www.sslindustries.com