



**Model No.  
SSL-1075 Pictured**



### Material

Formed 11 gauge / 304 stainless steel and Ø1" & Ø1/4" stainless steel solid round stock (no hollow or tubular components).

### Construction

All contact points are TIG welded complete and the rack is fully assembled.

### Finish

All components receive a dual-action medium Scotch-Brite finish and all welds are passivated.

### Mounting

Each unit ships with (4) stainless steel mounting plates and (2) stainless steel mounting books (with 1/4" clearance holes) to allow for easy lift-off.

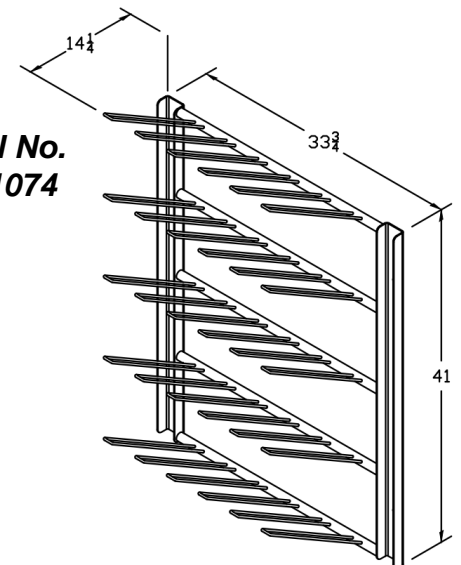
### Mounting

All racks ship fully assembled LTL/FTL

### Capacity Options & Pricing

Model No.	Price / Ea. @ Qty:		
	1	5	10
SSL-1074 (15-Pair)	\$1,225	\$1,195	\$1,165
SSL-1075 (20-Pair)	\$1,300	\$1,265	\$1,235

**Model No.  
SSL-1074**



**SSL Industries, LLC**

Phone: (920) 893-2991

Get a Quote: [sales@sslindustries.com](mailto:sales@sslindustries.com)

[www.sslindustries.com](http://www.sslindustries.com)