



Model No. SSL-1321 Pictured



Material

Formed 11 gauge / 304 stainless steel (no hollow or tubular components).

Top

Features lasered holes all punched up for grip.

Construction

All contact points are TIG welded complete and the platform is fully assembled. Weight capacity = 1,000 lbs.

Finish

All components receive a dual-action medium Scotch-Brite finish and all welds are passivated.

Footing

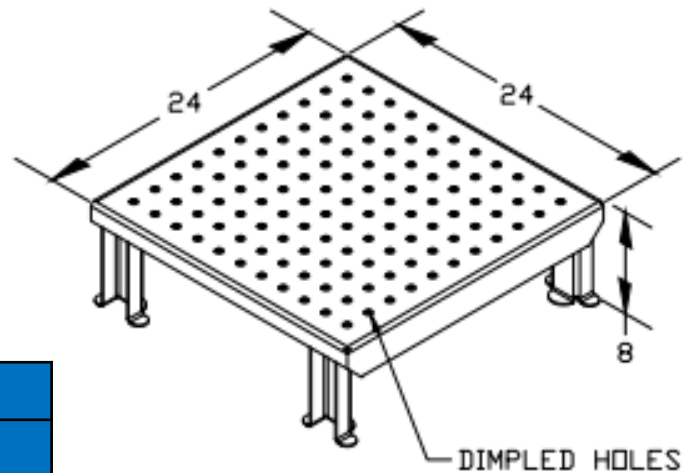
Standard platforms have Paw Print Footing (pictured). Rubber non-skid or UHMW pads are available upon request.

Shipping

All platforms ship fully assembled LTL/FTL.

Dimensional Options & Pricing

Model No.	Price / Ea. @ Qty:		
	1	5	10
SSL-1528 (24"L x 24"W x 8"H)	\$675	\$650	\$595
SSL-1529 (36"L x 24"W x 8"H)	\$775	\$750	\$695
SSL-1321 (48"L x 24"W x 8"H)	\$875	\$850	\$795



Model No. SSL-1528

SSL Industries, LLC

Phone: (920) 893-2991

Get a Quote: sales@sslindustries.com

www.sslindustries.com