



Seat

Rolled 11 gauge / 304 stainless steel.

Frame

Formed 7 & 11 gauge / 304 stainless steel (no hollow or tubular components).

Construction

All contact points are TIG welded complete and the stool is fully assembled. Weight capacity = 500 lbs.

Finish

All components receive a dual-action medium Scotch-Brite finish and all welds are passivated.

Footing

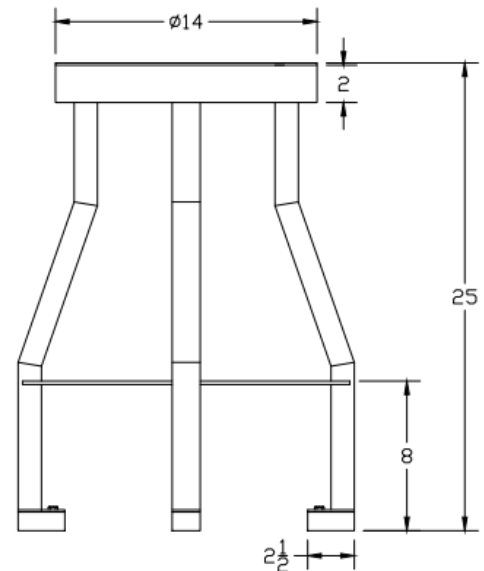
1" Thick UHMW Pads.

Shipping

All stools ship fully assembled LTL/FTL.

Pricing

Model No.	Price / Ea. @ Qty:		
	1	5	10
SSL-1581	\$500	\$485	\$465



SSL Industries, LLC

Phone: (920) 893-2991

Get a Quote: sales@sslindustries.com

www.sslindustries.com