



### Top & Bottom Tray

Formed 11 gauge / 304 stainless steel and features strategically located lasered holes for proper drainage. 1-1/2" top tray and 4" bottom tray.

### Handle

Formed Ø3/4" stainless steel solid round stock.

### Frame

Formed 11 gauge / 304 stainless steel (no hollow or tubular components).

### Construction

All contact points are TIG welded complete and the cart is fully assembled. Weight capacity = 1,000 lbs.

### Finish

All components receive a dual-action medium Scotch-Brite finish and all welds are passivated.

### Footing

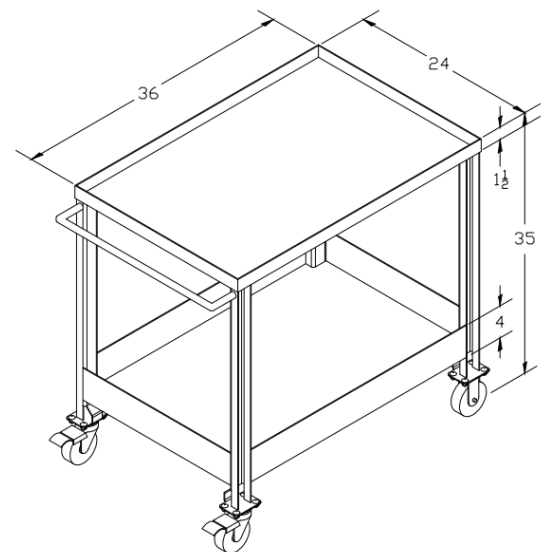
Casters – (2) 4" swivel with total locking brake & (2) 4" rigid casters with 1/2" stainless steel spacers and hardware.

### Shipping

All cart ship fully assembled LTL/FTL.

### Pricing

| Model No.                     | Price / Ea. @ Qty: |         |         |
|-------------------------------|--------------------|---------|---------|
|                               | 1                  | 5       | 10      |
| SSL-1119 (36"L x 24"W x 35"H) | \$1,495            | \$1,450 | \$1,395 |



**SSL Industries, LLC**

Phone: (920) 893-2991

Get a Quote: [sales@sslindustries.com](mailto:sales@sslindustries.com)

[www.sslindustries.com](http://www.sslindustries.com)