



Material

Formed 11 gauge / 304 stainless steel and Ø1" stainless steel solid round stock (no hollow or tubular components).

Construction

All contact points are TIG welded complete and the chair is fully assembled. Weight capacity = 1,000 lbs.

Options

ADA Compliant version available upon request.

Finish

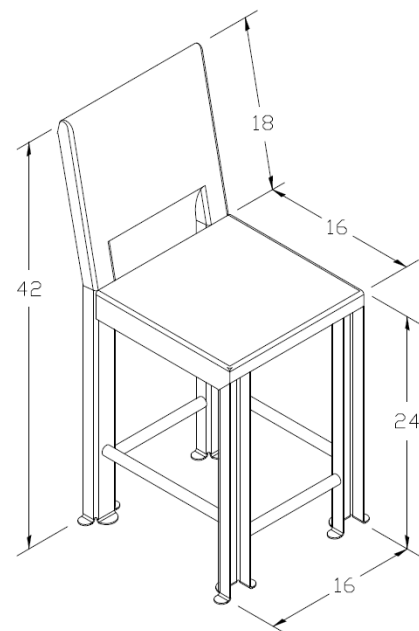
All components receive a dual-action medium Scotch-Brite finish and all welds are passivated.

Footing

Paw Print Footing (standard) or UHMW pads (available upon request).

Shipping

All chairs ship fully assembled LTL/FTL.



Pricing

Model No.	Price / Ea. @ Qty:		
	1	5	10
SSL-1103 (Paw Print Footing)	\$1,095	\$995	\$975

SSL Industries, LLC

Phone: (920) 893-2991

Get a Quote: sales@sslindustries.com

www.sslindustries.com