



Material

11 gauge / 304 stainless steel and Ø1/4" stainless steel solid round stock (no hollow or tubular components). Fits (4) standard glove boxes.

Construction

The glove box holder is TIG welded complete.

Mounting

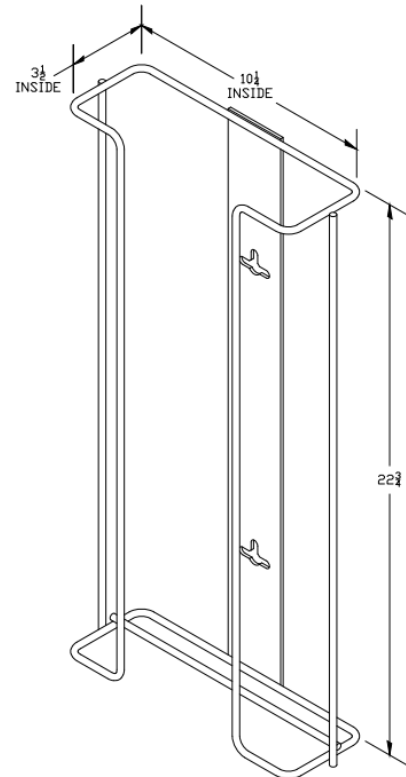
Each unit is shipped with (2) stainless steel mounting plates for ease of lift-off and sanitation.

Finish

All components receive a dual-action medium Scotch-Brite finish and all welds are passivated.

Shipping

UPS-Ground



Pricing

Model No.	Price / Ea. @ Qty:		
	1	5	10
SSL-1012	\$150	\$145	\$140

SSL Industries, LLC

Phone: (920) 893-2991

Get a Quote: sales@sslindustries.com

www.sslindustries.com