



Model No. SSL-1025 Pictured

Material

Formed 11 gauge / 304 stainless steel and Ø1" & Ø1/4" stainless steel solid round stock (no hollow or tubular components).

Construction

All contact points are TIG welded complete and the rack is fully assembled.

Finish

All components receive a dual-action medium Scotch-Brite finish and all welds are passivated.

Footing

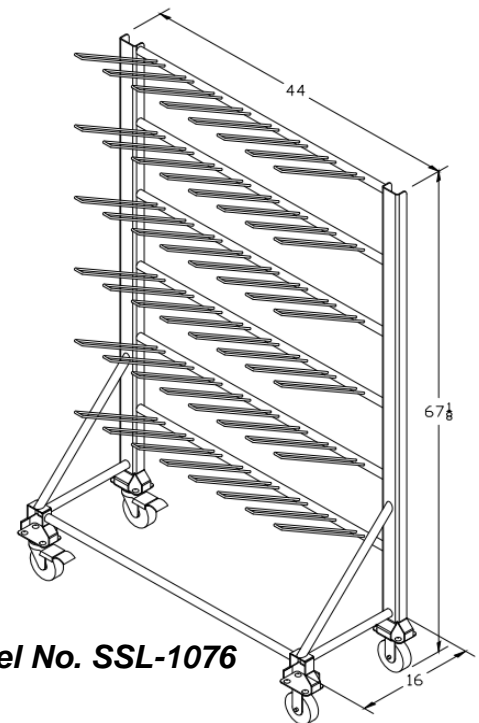
Casters – (2) 4" swivel with total locking brake & (2) 4" rigid casters with 1/2" stainless steel spacers and hardware.

Shipping

All racks ship fully assembled LTL/FTL

Capacity Options & Pricing

Model No.	Price / Ea. @ Qty:		
	1	5	10
SSL-1025 (15-Pair)	\$2,195	\$2,095	\$1,995
SSL-1076 (24-Pair)	\$2,495	\$2,395	\$2,295



Model No. SSL-1076

SSL Industries, LLC

Phone: (920) 893-2991

Get a Quote: sales@sslindustries.com

www.sslindustries.com