



Model No. SSL-1211 Pictured



Material

Formed 1/4" & 7 gauge / 304 stainless steel (no hollow or tubular components).

Handle

Ø1" Stainless steel solid round stock.

Construction

All contact points are TIG welded complete and the truck is fully assembled. Weight capacity = 2,500 lbs.

Finish

All components receive a dual-action medium Scotch-Brite finish and all welds are passivated.

Footing

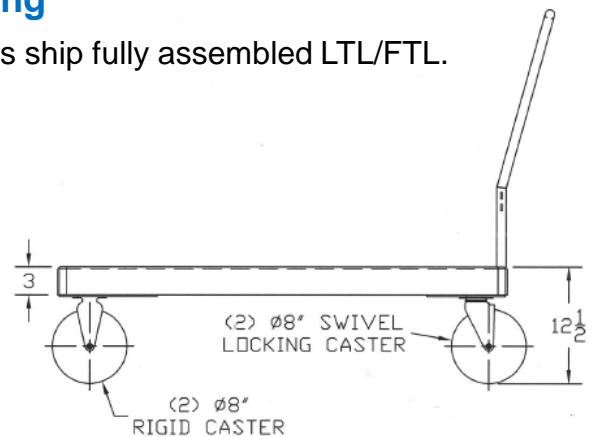
Casters – (2) 8" swivel with total locking brake & (2) 8" rigid casters with 1/2" stainless steel spacers and hardware.

Shipping

All trucks ship fully assembled LTL/FTL.

Dimensional Options & Pricing

Model No.	Price / Ea. @ Qty:		
	1	5	10
SSL-1451 (36" x 30")	\$2,050	\$1,975	\$1,905
SSL-1211 (48" x 30")	\$2,295	\$2,195	\$2,125



SSL Industries, LLC

Phone: (920) 893-2991

Get a Quote: sales@sslindustries.com

www.sslindustries.com