



Model No. SSL-1604 Pictured

Material

Formed 11 gauge / 304 stainless steel and Ø3/4" or Ø1" stainless steel solid round stock (no hollow or tubular components).

Construction

All contact points are TIG welded complete and the bench is fully assembled. Weight capacity = 1,250 lbs.

Finish

All components receive a dual-action medium Scotch-Brite finish and all welds are passivated.

Footing

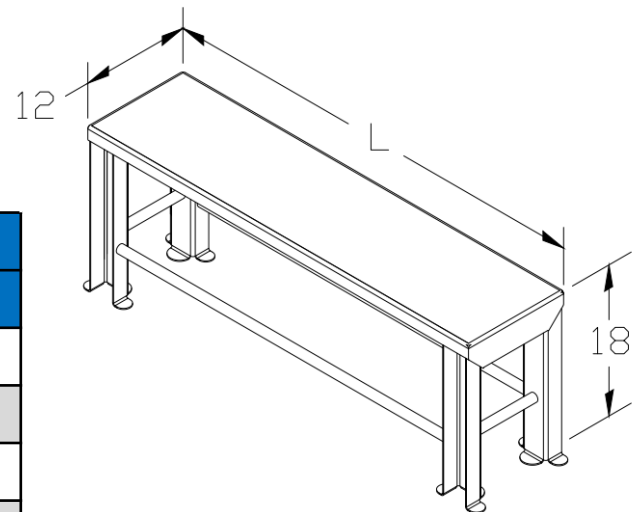
Standard benches have Paw Print Footing (pictured). Rubber non-skid pads or UHMW pads are available upon request.

Shipping

Benches ship fullts assembled UPS-Ground (SSL-1604) or LTL/FTL.

Dimensional Options & Pricing

Model No.	Price / Ea. @ Qty:		
	1	5	10
SSL-1604 (30"L x 12"W x 18"H)	\$575	\$555	\$535
SSL-1515 (48"L x 12"W x 18"H)	\$825	\$795	\$765
SSL-1517 (60"L x 12"W x 18"H)	\$995	\$960	\$925
SSL-1518 (72"L x 12"W x 18"H)	\$1,125	\$1,085	\$1,045



SSL Industries, LLC

Phone: (920) 893-2991

Get a Quote: sales@sslindustries.com

www.sslindustries.com