



Top & Shelves

Formed 11 gauge / 304 stainless steel (no hollow or tubular components).

Handle

Formed Ø3/4" stainless steel solid round stock.

Frame

Formed 11 gauge / 304 stainless steel (no hollow or tubular components).

Construction

All contact points are TIG welded complete and the cart is fully assembled. Weight capacity = 1,000 lbs.

Finish

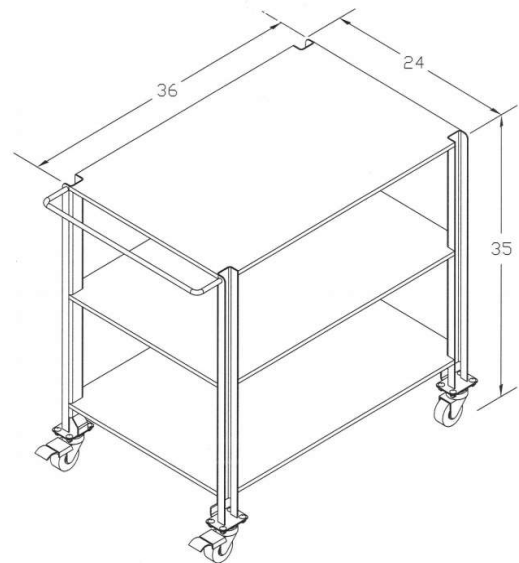
All components receive a dual-action medium Scotch-Brite finish and all welds are passivated.

Footing

Casters – (2) 4" swivel with total locking brake & (2) 4" rigid casters with 1/2" stainless steel spacers and hardware

Pricing

Model No.	Price / Ea. @ Qty:		
	1	5	10
SSL-1112 (36"L x 24"W x 35"H)	\$1,650	\$1,595	\$1,550



SSL Industries, LLC

Phone: (920) 893-2991

Get a Quote: sales@sslindustries.com

www.sslindustries.com