



Material

Formed 11 gauge / 304 stainless steel and Ø3/4" stainless steel solid round stock (no hollow or tubular components).

Design

Engineered to fit (3) standard bins/totes (not included).

Construction

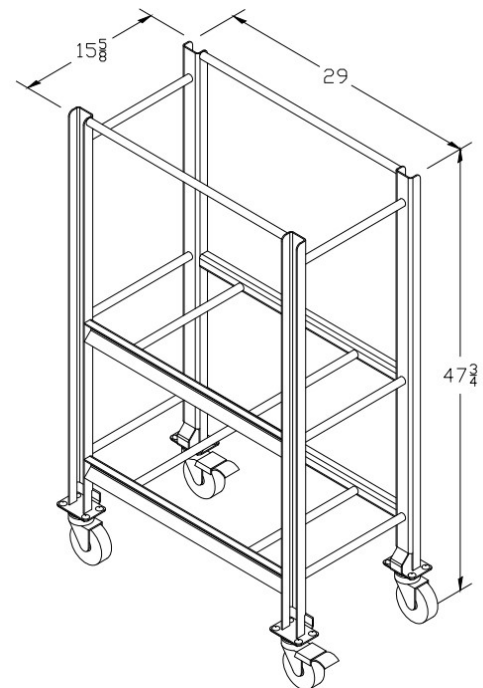
All contact points are TIG welded complete and the cart is fully assembled.

Finish

All components receive a dual-action medium Scotch-Brite finish and all welds are passivated.

Footing

Casters – (2) 4" swivel with total locking brake & (2) 4" swivel casters with 1/2" stainless steel spacers and hardware



Pricing

Model No.	Price / Ea. @ Qty:		
	1	5	10
SSL-1067	\$1,050	\$995	\$950

SSL Industries, LLC

Phone: (920) 893-2991

Get a Quote: sales@sslindustries.com

www.sslindustries.com