



Model No. SSL-1321 Pictured



### Material

Formed 11 gauge / 304 stainless steel (no hollow or tubular components).

### Top

Features lasered holes all punched up for grip.

### Construction

All contact points are TIG welded complete and the platform is fully assembled. Weight capacity = 1,000 lbs.

### Finish

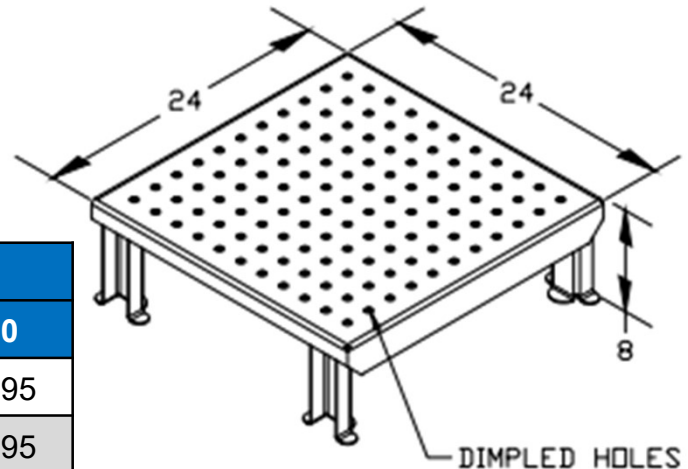
All components receive a dual-action medium Scotch-Brite finish and all welds are passivated.

### Footing

Standard platforms have Paw Print footing (pictured). Rubber non-skid pads, UHMW pads, or acetal pads are available upon request.

### Dimensional Options & Pricing

Model No.	Price / Ea. @ Qty:		
	1	5	10
SSL-1528 (24"L x 24"W x 8"H)	\$675	\$650	\$595
SSL-1529 (36"L x 24"W x 8"H)	\$775	\$750	\$695
SSL-1321 (48"L x 24"W x 8"H)	\$875	\$850	\$795



Model No. SSL-1528

**SSL Industries, LLC**

Phone: (920) 893-2991

Get a Quote: [sales@sslindustries.com](mailto:sales@sslindustries.com)

[www.sslindustries.com](http://www.sslindustries.com)