



### Top & Bottom Tray

Formed 11 gauge / 304 stainless steel and features strategically located lasered holes for proper drainage. 1-1/2" top tray and 4" bottom tray.

### Handle

Formed Ø3/4" stainless steel solid round stock.

### Frame

Formed 11 gauge / 304 stainless steel (no hollow or tubular components).

### Construction

All contact points are TIG welded complete and the cart is fully assembled. Weight capacity = 1,000 lbs.

### Finish

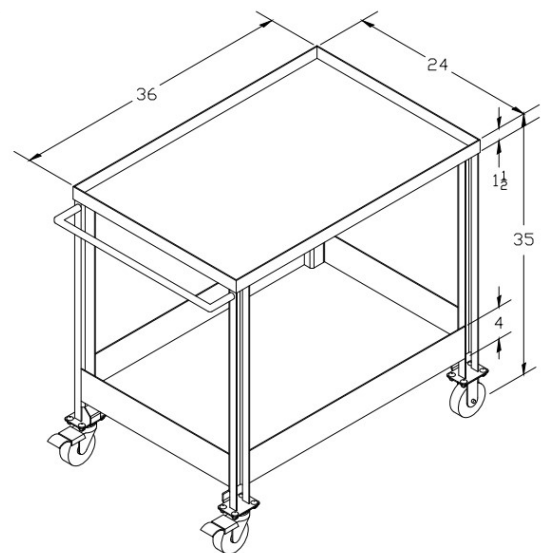
All components receive a dual-action medium Scotch-Brite finish and all welds are passivated.

### Footing

Casters – (2) 4" swivel with total locking brake & (2) 4" rigid casters with 1/2" stainless steel spacers and hardware

### Pricing

Model No.	Price / Ea. @ Qty:		
	1	5	10
SSL-1119 (36"L x 24"W x 35"H)	\$1,495	\$1,450	\$1,395



**SSL Industries, LLC**

Phone: (920) 893-2991

Get a Quote: [sales@sslindustries.com](mailto:sales@sslindustries.com)

[www.sslindustries.com](http://www.sslindustries.com)