

**SSL** Industries  
*CLEAN SAFE SIMPLE*<sup>®</sup>



# STAINLESS STEEL TABLE WITH SHELF GUIDE



## Superior by Design

***Stainless steel equipment reimagined and re-engineered from the ground up to eliminate tubular frames and hollow components.***

### Always Stainless

High quality materials result in high quality products for sanitary environments.



### Fully Formed

No tubing or hollow components whatsoever, eliminating areas for bacteria and contaminants to harbor.



### Simple Sanitation

Engineered with sanitation and maintenance teams in mind. Simple designs mean simple, less time-consuming sanitation.

### Customizable

All of our equipment is fully customizable to meet the specific needs and preferences of our clients.

### Durable

Built to withstand prolonged use and harsh routine sanitation.

**SSL Industries, LLC**

Phone: (920) 893-2991

Get a Quote: [sales@sslindustries.com](mailto:sales@sslindustries.com)

[www.sslindustries.com](http://www.sslindustries.com)



**Top**

The top is formed of 11 gauge / 304 stainless steel and TIG welded complete to the frame. Our patented design eliminates all closed channels and requires no nuts, bolts, or threads for assembly.



### Frame

The frame is constructed of 11 gauge / 304 stainless steel and utilizes completely formed components (*no tubular or hollow components*). The frame is TIG welded complete and the table is fully assembled. Weight capacity = 1,200 lbs.

### Shelf

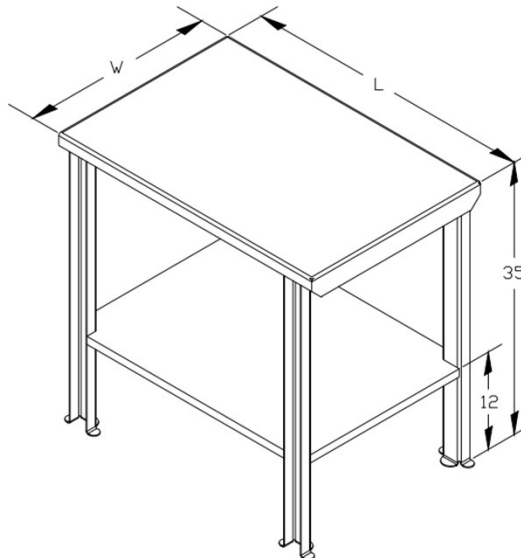
The shelf is formed of 14 gauge / 304 stainless steel and TIG welded complete to the frame at 12"H.

### Finish

All components receive a dual-action medium Scotch-Brite finish and all welds are passivated.

### Footing Options

- Paw Print
- Casters
- UHMW Pads
- Adjustable Pads



### Standard Dimensions

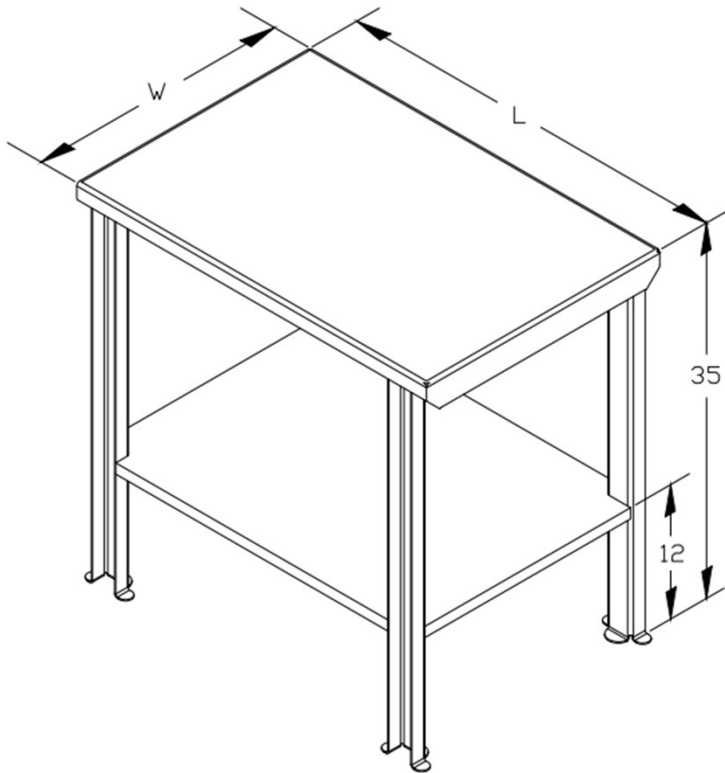
Length	Width	Height
36"	24"	35"
36"	30"	35"
48"	24"	35"
48"	30"	35"
60"	24"	35"
60"	30"	35"
72"	24"	35"
72"	30"	35"

**SSL Industries, LLC**

Phone: (920) 893-2991

Get a Quote: [sales@sslindustries.com](mailto:sales@sslindustries.com)

[www.sslindustries.com](http://www.sslindustries.com)



- SSL Industries' proprietary design
- (3) Formed tabs on the base of the foot for ample stability
- Most preferred option by regulatory bodies due to inherit clean design and sanitation

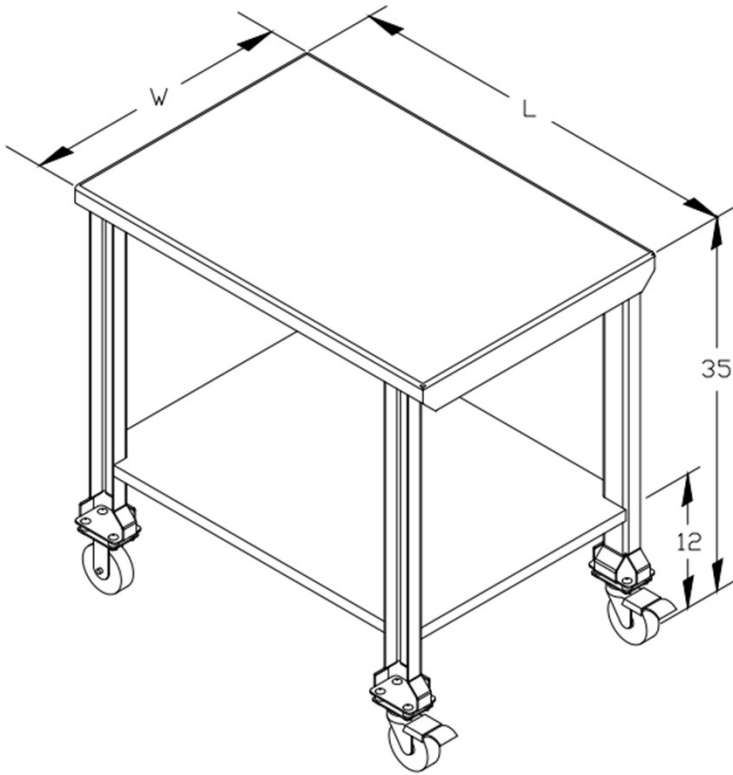
Model No.	Dimensions			Footing	Price / Ea. @ Qty:		
	L	W	H		1	5	10
SSL-1001-S-36X24	36"	24"	35"	Paw Print	\$1,360	\$1,310	\$1,265
SSL-1001-S-36X30	36"	30"	35"	Paw Print	\$1,510	\$1,455	\$1,405
SSL-1001-S-48X24	48"	24"	35"	Paw Print	\$1,575	\$1,520	\$1,465
SSL-1001-S-48X30	48"	30"	35"	Paw Print	\$1,770	\$1,710	\$1,650
SSL-1001-S-60X24	60"	24"	35"	Paw Print	\$1,835	\$1,770	\$1,710
SSL-1001-S-60X30	60"	30"	35"	Paw Print	\$2,075	\$2,005	\$1,935
SSL-1001-S-72X24	72"	24"	35"	Paw Print	\$2,095	\$2,020	\$1,950
SSL-1001-S-72X30	72"	30"	35"	Paw Print	\$2,380	\$2,300	\$2,220

**SSL Industries, LLC**

Phone: (920) 893-2991

Get a Quote: [sales@sslindustries.com](mailto:sales@sslindustries.com)

[www.sslindustries.com](http://www.sslindustries.com)



- Standard 4" solid blue polyurethane wheels
- (2) Rigid and (2) swivel with total locking brakes
- Load capacity of 300 lbs. per caster (1,200 lbs. per table)
- Temperature resistance -40°F to +180°F
- ½" Stainless steel spacers between footing and caster plates
- Stainless steel carriage bolts and acorn nuts

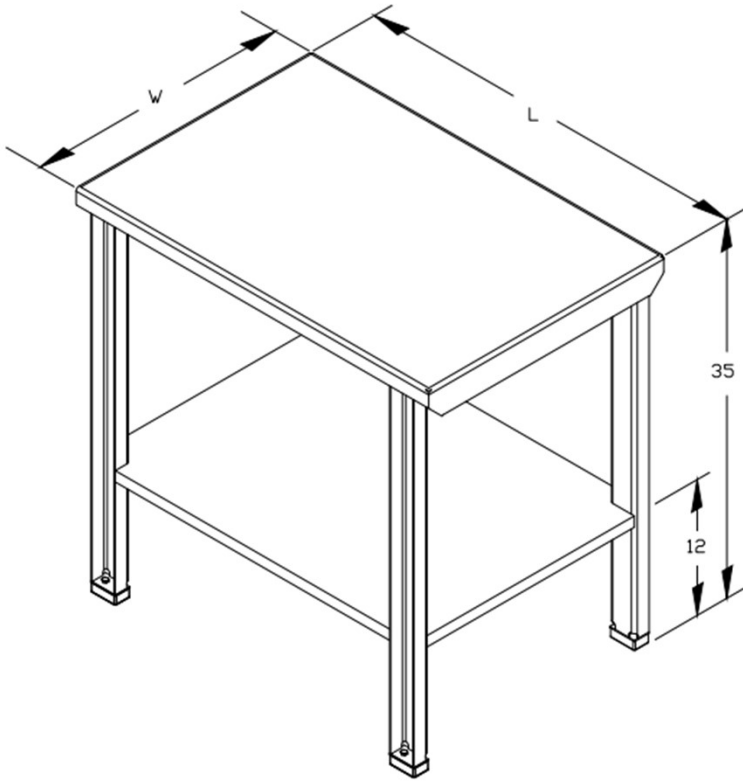
Model No.	Dimensions			Footing	Price / Ea. @ Qty:		
	L	W	H		1	5	10
SSL-1001-C-S-36X24	36"	24"	35"	½" SS Spacers & 4" Casters	\$1,660	\$1,600	\$1,545
SSL-1001-C-S-36X30	36"	30"	35"	½" SS Spacers & 4" Casters	\$1,810	\$1,745	\$1,685
SSL-1001-C-S-48X24	48"	24"	35"	½" SS Spacers & 4" Casters	\$1,875	\$1,810	\$1,745
SSL-1001-C-S-48X30	48"	30"	35"	½" SS Spacers & 4" Casters	\$2,070	\$1,995	\$1,925
SSL-1001-C-S-60X24	60"	24"	35"	½" SS Spacers & 4" Casters	\$2,135	\$2,060	\$1,985
SSL-1001-C-S-60X30	60"	30"	35"	½" SS Spacers & 4" Casters	\$2,375	\$2,290	\$2,210
SSL-1001-C-S-72X24	72"	24"	35"	½" SS Spacers & 4" Casters	\$2,395	\$2,310	\$2,230
SSL-1001-C-S-72X30	72"	30"	35"	½" SS Spacers & 4" Casters	\$2,680	\$2,585	\$2,495

**SSL Industries, LLC**

Phone: (920) 893-2991

Get a Quote: [sales@sslindustries.com](mailto:sales@sslindustries.com)

[www.sslindustries.com](http://www.sslindustries.com)



- 1" Thick rectangular UHMW pads on the base of footing for ease of mobility
- Relieved corners on the base of the footing for drainage
- Stainless steel hex cap screws

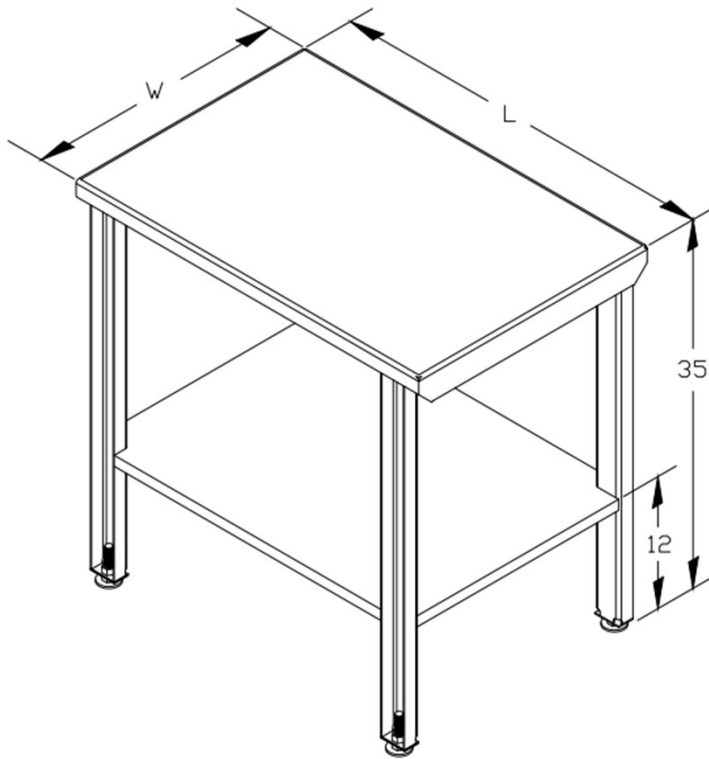
Model No.	Dimensions			Footing	Price / Ea. @ Qty:		
	L	W	H		1	5	10
SSL-1001-P-S-36X24	36"	24"	35"	UHMW Pads	\$1,475	\$1,425	\$1,380
SSL-1001-P-S-36X30	36"	30"	35"	UHMW Pads	\$1,625	\$1,570	\$1,520
SSL-1001-P-S-48X24	48"	24"	35"	UHMW Pads	\$1,690	\$1,635	\$1,580
SSL-1001-P-S-48X30	48"	30"	35"	UHMW Pads	\$1,885	\$1,825	\$1,765
SSL-1001-P-S-60X24	60"	24"	35"	UHMW Pads	\$1,950	\$1,885	\$1,825
SSL-1001-P-S-60X30	60"	30"	35"	UHMW Pads	\$2,190	\$2,120	\$2,050
SSL-1001-P-S-72X24	72"	24"	35"	UHMW Pads	\$2,210	\$2,135	\$2,065
SSL-1001-P-S-72X30	72"	30"	35"	UHMW Pads	\$2,495	\$2,415	\$2,335

**SSL Industries, LLC**

Phone: (920) 893-2991

Get a Quote: [sales@sslindustries.com](mailto:sales@sslindustries.com)

[www.sslindustries.com](http://www.sslindustries.com)



- 7GA stainless steel circular pads welded complete to thread, offering 1-3/4" of adjustability on all feet
- Relieved corners on the base of the footing for drainage
- Completely removable for washdown and sanitation
- Stainless steel hex nuts
- **NOTE: Adjustable feet not USDA or NSF/ANSI/3-A Compliant**

Model No.	Dimensions			Footing	Price / Ea. @ Qty:		
	L	W	H		1	5	10
SSL-1001-A-S-36X24	36"	24"	35"	Adjustable Pads	\$1,440	\$1,390	\$1,345
SSL-1001-A-S-36X30	36"	30"	35"	Adjustable Pads	\$1,590	\$1,535	\$1,485
SSL-1001-A-S-48X24	48"	24"	35"	Adjustable Pads	\$1,655	\$1,600	\$1,545
SSL-1001-A-S-48X30	48"	30"	35"	Adjustable Pads	\$1,850	\$1,790	\$1,730
SSL-1001-A-S-60X24	60"	24"	35"	Adjustable Pads	\$1,915	\$1,850	\$1,790
SSL-1001-A-S-60X30	60"	30"	35"	Adjustable Pads	\$2,155	\$2,085	\$2,015
SSL-1001-A-S-72X24	72"	24"	35"	Adjustable Pads	\$2,175	\$2,100	\$2,030
SSL-1001-A-S-72X30	72"	30"	35"	Adjustable Pads	\$2,460	\$2,380	\$2,300

**SSL Industries, LLC**

Phone: (920) 893-2991

Get a Quote: [sales@sslindustries.com](mailto:sales@sslindustries.com)

[www.sslindustries.com](http://www.sslindustries.com)