

# SSL Industries

CLEAN SAFE SIMPLE®



## STAINLESS STEEL TABLE GUIDE



## Superior by Design

***Stainless steel equipment reimagined and re-engineered from the ground up to eliminate tubular frames and hollow components.***

### Always Stainless

High quality materials result in high quality products for sanitary environments.



### Fully Formed

No tubing or hollow components whatsoever, eliminating areas for bacteria and contaminants to harbor.



### Simple Sanitation

Engineered with sanitation and maintenance teams in mind. Simple designs mean simple, less time-consuming sanitation.

### Customizable

All of our equipment is fully customizable to meet the specific needs and preferences of our clients.

### Durable

Built to withstand prolonged use and harsh routine sanitation.

**SSL Industries, LLC**

Phone: (920) 893-2991

Get a Quote: [sales@sslindustries.com](mailto:sales@sslindustries.com)

[www.sslindustries.com](http://www.sslindustries.com)



### Top

The top is formed of 11 gauge / 304 stainless steel and TIG welded complete to the frame. Our patented design eliminates all closed channels and requires no nuts, bolts, or threads for assembly.

### Frame

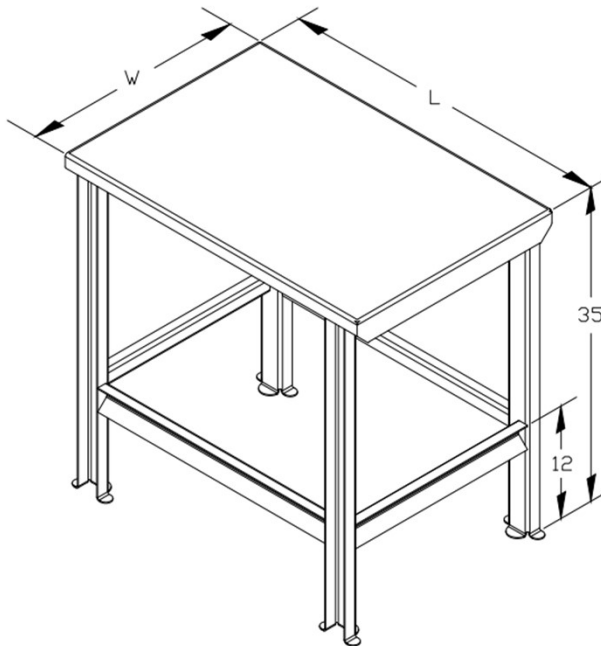
The frame is constructed of 11 gauge / 304 stainless steel and utilizes completely formed components (*no tubular or hollow components*). The frame is TIG welded complete and the table is fully assembled. Weight capacity = 1,200 lbs.

### Finish

All components receive a dual-action medium Scotch-Brite finish and all welds are passivated.

### Footing Options

- Paw Print
- Casters
- UHMW Pads
- Adjustable Pads



### Standard Dimensions

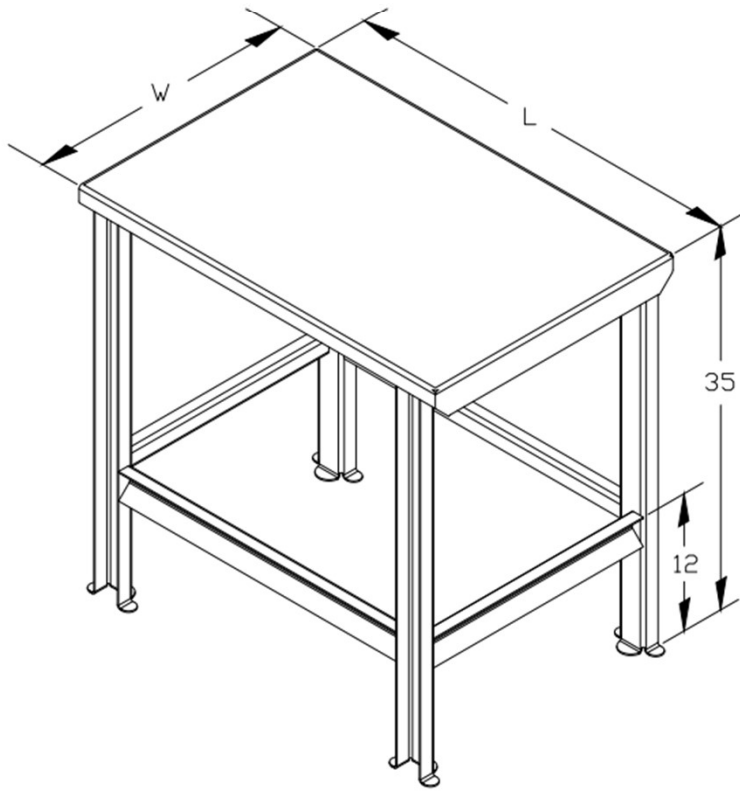
Length	Width	Height
36"	24"	35"
36"	30"	35"
48"	24"	35"
48"	30"	35"
60"	24"	35"
60"	30"	35"
72"	24"	35"
72"	30"	35"

**SSL Industries, LLC**

Phone: (920) 893-2991

Get a Quote: [sales@sslindustries.com](mailto:sales@sslindustries.com)

[www.sslindustries.com](http://www.sslindustries.com)



- SSL Industries' proprietary design
- (3) Formed tabs on the base of the foot for ample stability
- Most preferred option by regulatory bodies due to inherit clean design and sanitation

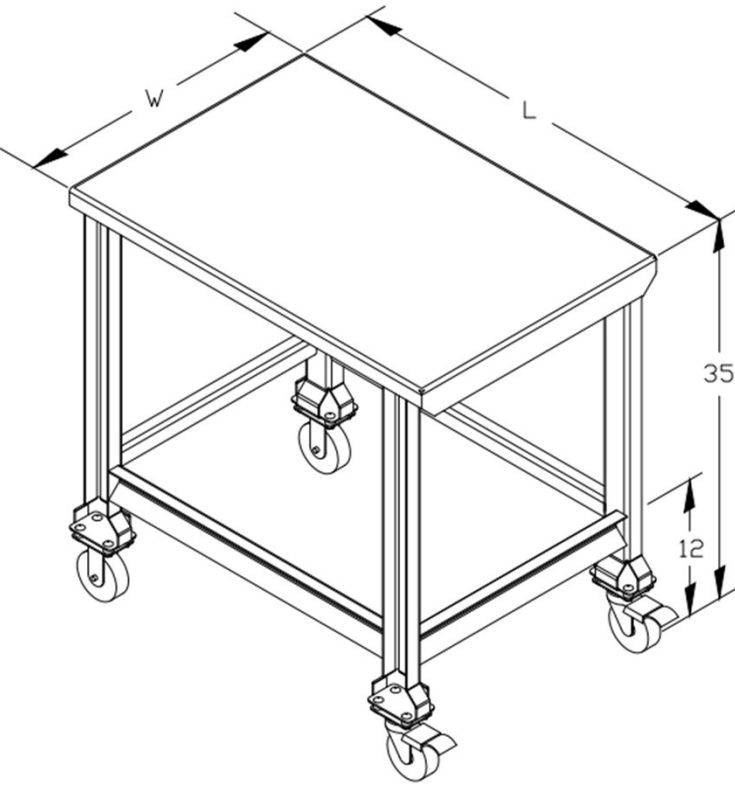
Model No.	Dimensions			Footing	Price / Ea. @ Qty:		
	L	W	H		1	5	10
SSL-1001-36X24	36"	24"	35"	Paw Print	\$1,250	\$1,205	\$1,155
SSL-1001-36X30	36"	30"	35"	Paw Print	\$1,355	\$1,310	\$1,265
SSL-1001-48X24	48"	24"	35"	Paw Print	\$1,420	\$1,370	\$1,320
SSL-1001-48X30	48"	30"	35"	Paw Print	\$1,550	\$1,495	\$1,445
SSL-1001-60X24	60"	24"	35"	Paw Print	\$1,630	\$1,575	\$1,520
SSL-1001-60X30	60"	30"	35"	Paw Print	\$1,790	\$1,730	\$1,670
SSL-1001-72X24	72"	24"	35"	Paw Print	\$1,845	\$1,780	\$1,720
SSL-1001-72X30	72"	30"	35"	Paw Print	\$2,030	\$1,960	\$1,890

**SSL Industries, LLC**

Phone: (920) 893-2991

Get a Quote: [sales@sslindustries.com](mailto:sales@sslindustries.com)

[www.sslindustries.com](http://www.sslindustries.com)



- Standard 4" solid blue polyurethane wheels
- (2) Rigid and (2) swivel with total locking brakes
- Load capacity of 300 lbs. per caster (1,200 lbs. per table)
- Temperature resistance -40°F to +180°F
- ½" Stainless steel spacers between footing and caster plates
- Stainless steel carriage bolts and acorn nuts

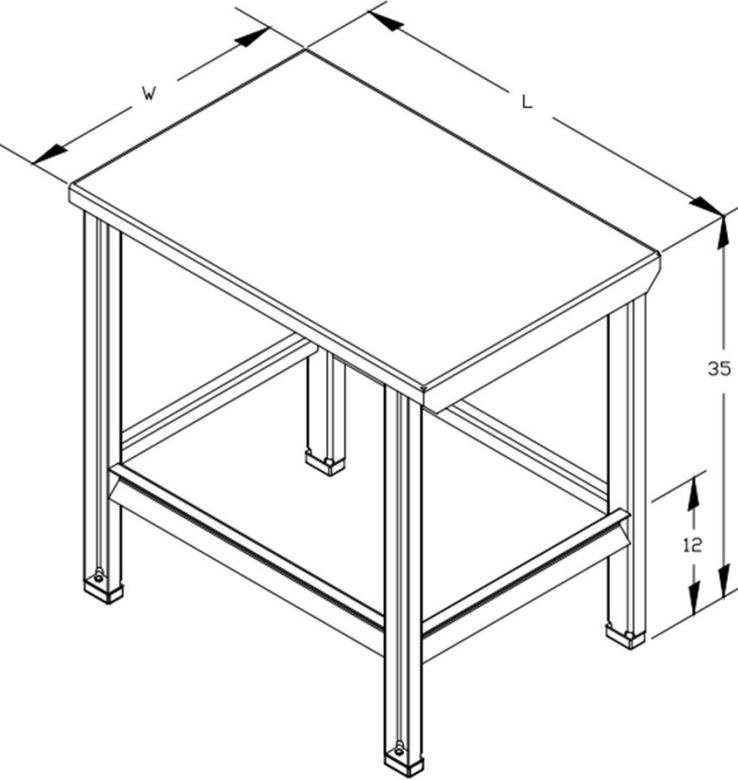
Model No.	Dimensions			Footing	Price / Ea. @ Qty:		
	L	W	H		1	5	10
SSL-1001-C-36X24	36"	24"	35"	½" SS Spacers & 4" Casters	\$1,550	\$1,495	\$1,440
SSL-1001-C-36X30	36"	30"	35"	½" SS Spacers & 4" Casters	\$1,665	\$1,600	\$1,540
SSL-1001-C-48X24	48"	24"	35"	½" SS Spacers & 4" Casters	\$1,715	\$1,655	\$1,600
SSL-1001-C-48X30	48"	30"	35"	½" SS Spacers & 4" Casters	\$1,850	\$1,785	\$1,725
SSL-1001-C-60X24	60"	24"	35"	½" SS Spacers & 4" Casters	\$1,930	\$1,865	\$1,800
SSL-1001-C-60X30	60"	30"	35"	½" SS Spacers & 4" Casters	\$2,090	\$2,015	\$1,945
SSL-1001-C-72X24	72"	24"	35"	½" SS Spacers & 4" Casters	\$2,145	\$2,070	\$1,995
SSL-1001-C-72X30	72"	30"	35"	½" SS Spacers & 4" Casters	\$2,330	\$2,250	\$2,170

**SSL Industries, LLC**

Phone: (920) 893-2991

Get a Quote: [sales@sslindustries.com](mailto:sales@sslindustries.com)

[www.sslindustries.com](http://www.sslindustries.com)



- 1" Thick rectangular UHMW pads on the base of footing for ease of mobility
- Relieved corners on the base of the footing for drainage
- Stainless steel hex cap screws

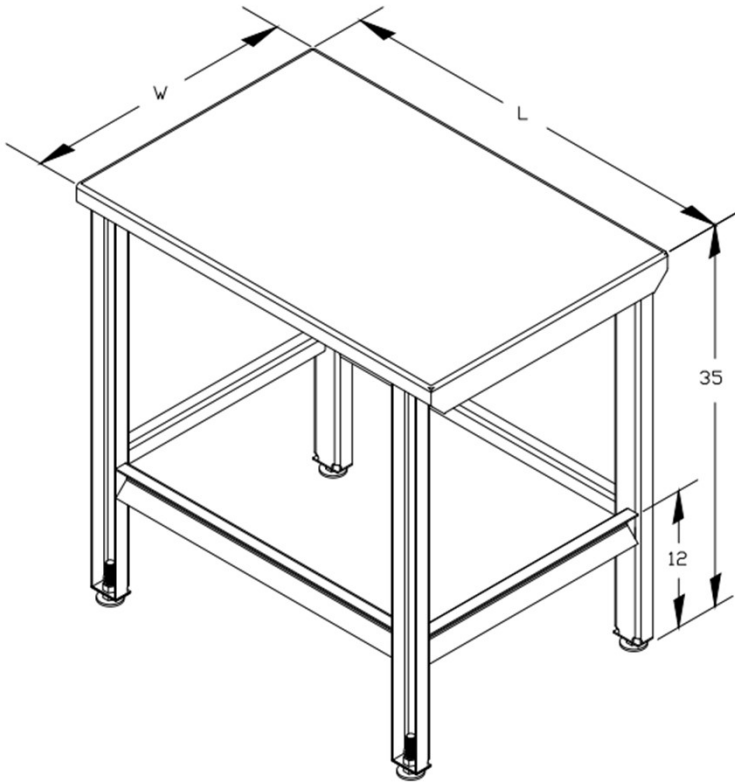
Model No.	Dimensions			Footing	Price / Ea. @ Qty:		
	L	W	H		1	5	10
SSL-1001-P-36X24	36"	24"	35"	UHMW Pads	\$1,365	\$1,320	\$1,280
SSL-1001-P-36X30	36"	30"	35"	UHMW Pads	\$1,470	\$1,425	\$1,380
SSL-1001-P-48X24	48"	24"	35"	UHMW Pads	\$1,535	\$1,485	\$1,435
SSL-1001-P-48X30	48"	30"	35"	UHMW Pads	\$1,665	\$1,610	\$1,560
SSL-1001-P-60X24	60"	24"	35"	UHMW Pads	\$1,745	\$1,700	\$1,635
SSL-1001-P-60X30	60"	30"	35"	UHMW Pads	\$1,905	\$1,845	\$1,785
SSL-1001-P-72X24	72"	24"	35"	UHMW Pads	\$1,960	\$1,895	\$1,835
SSL-1001-P-72X30	72"	30"	35"	UHMW Pads	\$2,145	\$2,075	\$2,005

**SSL Industries, LLC**

Phone: (920) 893-2991

Get a Quote: [sales@sslindustries.com](mailto:sales@sslindustries.com)

[www.sslindustries.com](http://www.sslindustries.com)



- 7GA stainless steel circular pads welded complete to thread, offering 1-3/4" of adjustability on all feet
- Relieved corners on the base of the footing for drainage
- Completely removable for washdown and sanitation
- Stainless steel hex nuts
- **NOTE: Adjustable feet not USDA or NSF/ANSI/3-A Compliant**

Model No.	Dimensions			Footing	Price / Ea. @ Qty:		
	L	W	H		1	5	10
SSL-1001-A-36X24	36"	24"	35"	Adjustable Pads	\$1,330	\$1,285	\$1,245
SSL-1001-A-36X30	36"	30"	35"	Adjustable Pads	\$1,435	\$1,390	\$1,345
SSL-1001-A-48X24	48"	24"	35"	Adjustable Pads	\$1,500	\$1,450	\$1,400
SSL-1001-A-48X30	48"	30"	35"	Adjustable Pads	\$1,630	\$1,575	\$1,525
SSL-1001-A-60X24	60"	24"	35"	Adjustable Pads	\$1,710	\$1,665	\$1,600
SSL-1001-A-60X30	60"	30"	35"	Adjustable Pads	\$1,870	\$1,810	\$1,750
SSL-1001-A-72X24	72"	24"	35"	Adjustable Pads	\$1,925	\$1,860	\$1,800
SSL-1001-A-72X30	72"	30"	35"	Adjustable Pads	\$2,110	\$2,040	\$1,970

**SSL Industries, LLC**

Phone: (920) 893-2991

Get a Quote: [sales@sslindustries.com](mailto:sales@sslindustries.com)

[www.sslindustries.com](http://www.sslindustries.com)