



# STAINLESS STEEL BIN/TOTE CART GUIDE

## Superior by Design

***Stainless steel equipment reimagined and re-engineered from the ground up to eliminate tubular frames and hollow components.***

### Always Stainless

High quality materials result in high quality products for sanitary environments.



### Fully Formed

No tubing or hollow components whatsoever, eliminating areas for bacteria and contaminants to harbor.

### Simple Sanitation

Engineered with sanitation and maintenance teams in mind. Simple designs mean simple, less time-consuming sanitation.

### Customizable

All of our equipment is fully customizable to meet the specific needs and preferences of our clients.

### Durable

Built to withstand prolonged use and harsh routine sanitation.

**SSL Industries, LLC**

Phone: (920) 893-2991

Get a Quote: [sales@sslindustries.com](mailto:sales@sslindustries.com)

[www.sslindustries.com](http://www.sslindustries.com)



### Material

Formed 11 gauge / 304 stainless steel and Ø3/4" stainless steel solid round stock (no hollow or tubular components).

### Design

Engineered to fit (1) standard bin/tote (not included).

### Construction

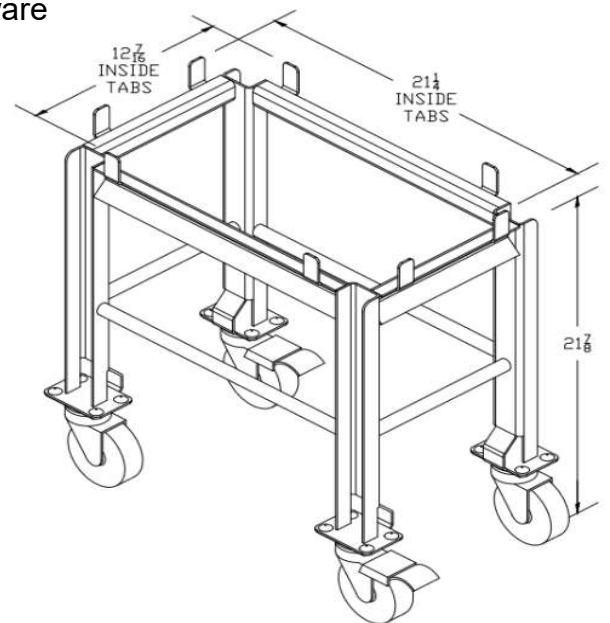
All contact points are TIG welded complete and the cart is fully assembled.

### Finish

All components receive a dual-action medium Scotch-Brite finish and all welds are passivated.

### Footing

Casters – (2) 4" swivel with total locking brake & (2) 4" swivel casters with 1/2" stainless steel spacers and hardware



### Pricing

Model No.	Price / Ea. @ Qty:		
	1	5	10
SSL-1008	\$895	\$865	\$835

**SSL Industries, LLC**

Phone: (920) 893-2991

Get a Quote: [sales@sslindustries.com](mailto:sales@sslindustries.com)

[www.sslindustries.com](http://www.sslindustries.com)



### Material

Formed 11 gauge / 304 stainless steel and Ø3/4" stainless steel solid round stock (no hollow or tubular components).

### Design

Engineered to fit (2) standard bins/totes (not included).

### Construction

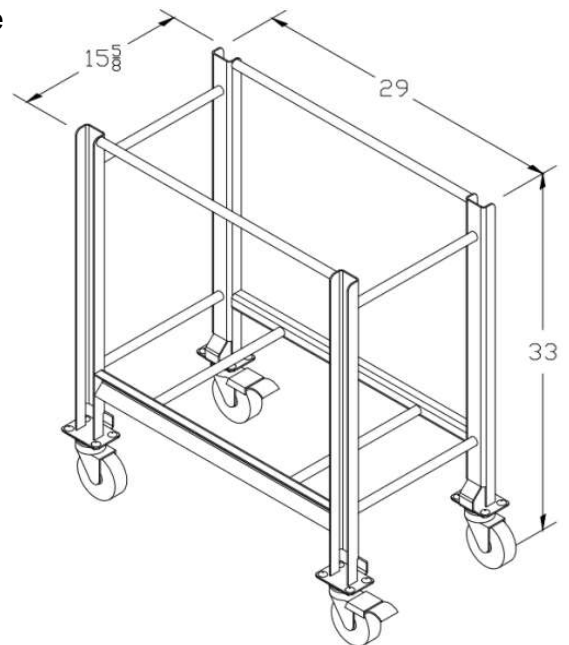
All contact points are TIG welded complete and the cart is fully assembled.

### Finish

All components receive a dual-action medium Scotch-Brite finish and all welds are passivated.

### Footing

Casters – (2) 4" swivel with total locking brake & (2) 4" swivel casters with 1/2" stainless steel spacers and hardware



### Pricing

Model No.	Price / Ea. @ Qty:		
	1	5	10
SSL-1065	\$975	\$945	\$925

**SSL Industries, LLC**

Phone: (920) 893-2991

Get a Quote: [sales@sslindustries.com](mailto:sales@sslindustries.com)

[www.sslindustries.com](http://www.sslindustries.com)



### Material

Formed 11 gauge / 304 stainless steel and Ø3/4" stainless steel solid round stock (no hollow or tubular components).

### Design

Engineered to fit (2) standard bins/totes (not included).

### Construction

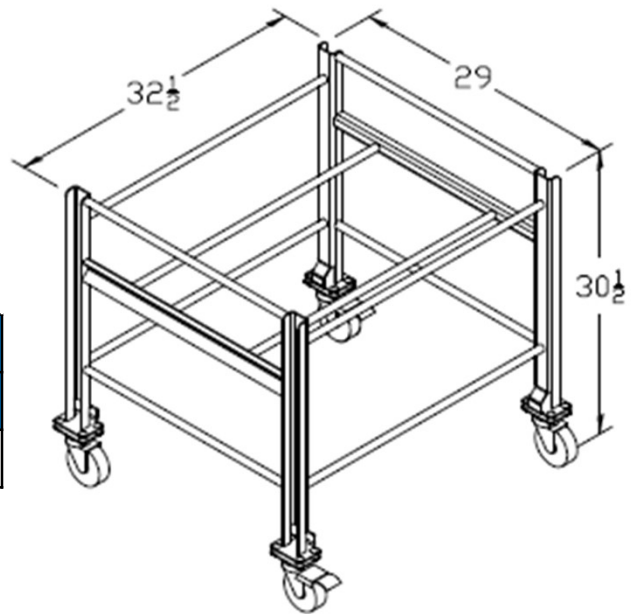
All contact points are TIG welded complete and the cart is fully assembled.

### Finish

All components receive a dual-action medium Scotch-Brite finish and all welds are passivated.

### Footing

Casters – (2) 4" swivel with total locking brake & (2) 4" swivel casters with 1/2" stainless steel spacers and hardware



### Pricing

Model No.	Price / Ea. @ Qty:		
	1	5	10
SSL-1109	\$985	\$955	\$935

**SSL Industries, LLC**

Phone: (920) 893-2991

Get a Quote: [sales@sslindustries.com](mailto:sales@sslindustries.com)

[www.sslindustries.com](http://www.sslindustries.com)



### Material

Formed 11 gauge / 304 stainless steel and Ø3/4" stainless steel solid round stock (no hollow or tubular components).

### Design

Engineered to fit (3) standard bins/totes (not included).

### Construction

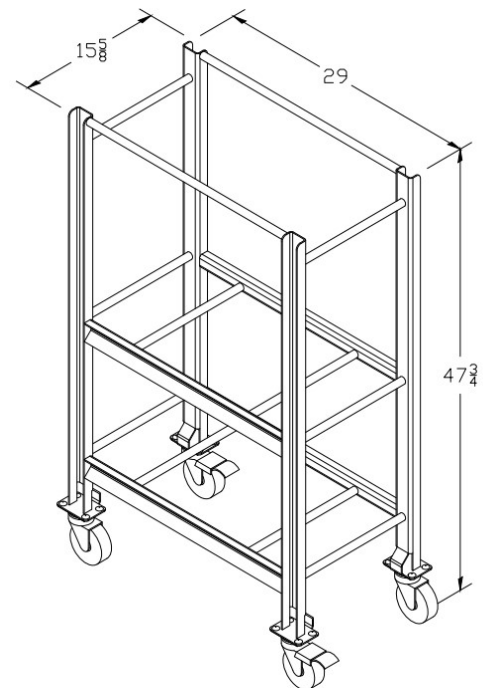
All contact points are TIG welded complete and the cart is fully assembled.

### Finish

All components receive a dual-action medium Scotch-Brite finish and all welds are passivated.

### Footing

Casters – (2) 4" swivel with total locking brake & (2) 4" swivel casters with 1/2" stainless steel spacers and hardware



### Pricing

Model No.	Price / Ea. @ Qty:		
	1	5	10
SSL-1067	\$1,050	\$995	\$950

**SSL Industries, LLC**

Phone: (920) 893-2991

Get a Quote: [sales@sslindustries.com](mailto:sales@sslindustries.com)

[www.sslindustries.com](http://www.sslindustries.com)



### Material

Formed 11 gauge / 304 stainless steel and Ø3/4" stainless steel solid round stock (no hollow or tubular components).

### Design

Engineered to fit (4) standard bins/totes (not included).

### Construction

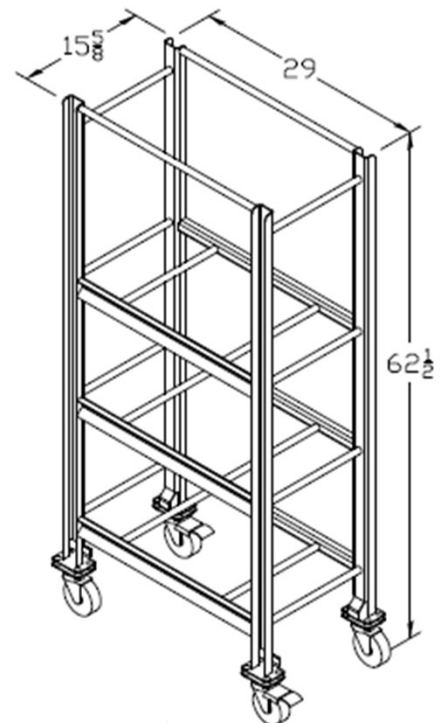
All contact points are TIG welded complete and the cart is fully assembled.

### Finish

All components receive a dual-action medium Scotch-Brite finish and all welds are passivated.

### Footing

Casters – (2) 4" swivel with total locking brake & (2) 4" swivel casters with 1/2" stainless steel spacers and hardware



### Pricing

Model No.	Price / Ea. @ Qty:		
	1	5	10
SSL-1095	\$1,200	\$1,150	\$1,095

**SSL Industries, LLC**

Phone: (920) 893-2991

Get a Quote: [sales@sslindustries.com](mailto:sales@sslindustries.com)

[www.sslindustries.com](http://www.sslindustries.com)



### Material

Formed 11 gauge / 304 stainless steel and Ø3/4" stainless steel solid round stock (no hollow or tubular components).

### Design

Engineered to fit (6) standard bins/totes (not included).

### Construction

All contact points are TIG welded complete and the cart is fully assembled.

### Finish

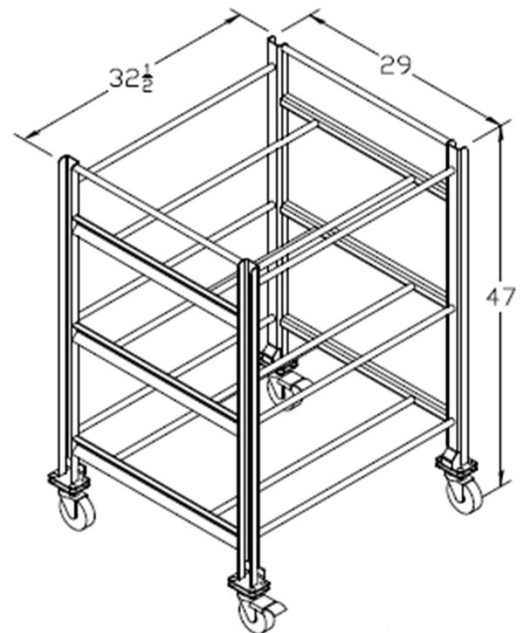
All components receive a dual-action medium Scotch-Brite finish and all welds are passivated.

### Footing

Casters – (2) 4" swivel with total locking brake & (2) 4" swivel casters with 1/2" stainless steel spacers and hardware

### Pricing

Model No.	Price / Ea. @ Qty:		
	1	5	10
SSL-1322	\$1,650	\$1,595	\$1,525



**SSL Industries, LLC**

Phone: (920) 893-2991

Get a Quote: [sales@sslindustries.com](mailto:sales@sslindustries.com)

[www.sslindustries.com](http://www.sslindustries.com)