



Model No. SSL-1048 Pictured



Material

Formed 11 gauge / 304 stainless steel (no hollow or tubular components).

Design

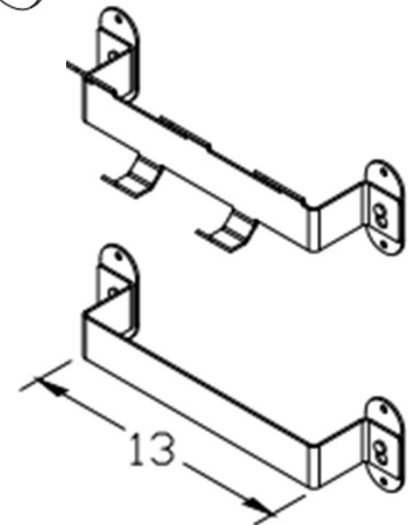
Engineered to fit (5), (9), or (13) coats/frocks. Comes standard with a lower spacer bar so hanging coats/frocks avoid direct contact with the wall.

Finish

All components receive a dual-action medium Scotch-Brite finish and all welds are passivated.

Mounting

Each unit ships with (4) stainless steel mounting plates for ease of lift-off and sanitation.



Capacity Options & Pricing

Model No.	Price / Ea. @ Qty:		
	1	5	10
SSL-1046 (5-Hook Removable)	\$205	\$195	\$185
SSL-1048 (9-Hook Removable)	\$275	\$265	\$255
SSL-1050 (13-Hook Removable)	\$325	\$315	\$305

Model No. SSL-1046

SSL Industries, LLC

Phone: (920) 893-2991

Get a Quote: sales@sslindustries.com

www.sslindustries.com