



Model No. SSL-1025 Pictured

Material

Formed 11 gauge / 304 stainless steel and Ø1" & Ø1/4" stainless steel solid round stock (no hollow or tubular components).

Construction

All contact points are TIG welded complete and the rack is fully assembled.

Finish

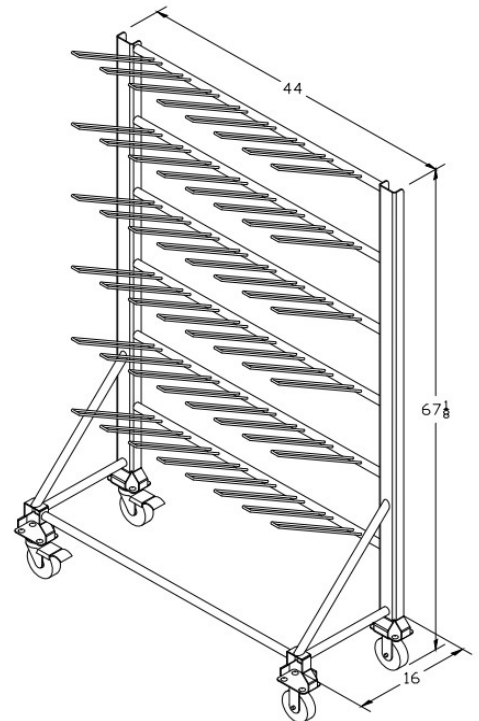
All components receive a dual-action medium Scotch-Brite finish and all welds are passivated.

Footing

Casters – (2) 4" swivel with total locking brake & (2) 4" rigid casters with 1/2" stainless steel spacers and hardware

Capacity Options & Pricing

| Model No. | Price / Ea. @ Qty: | | |
|--------------------|--------------------|---------|---------|
| | 1 | 5 | 10 |
| SSL-1025 (15-Pair) | \$2,195 | \$2,095 | \$1,995 |
| SSL-1076 (24-Pair) | \$2,495 | \$2,395 | \$2,295 |



Model No. SSL-1076

SSL Industries, LLC

Phone: (920) 893-2991

Get a Quote: sales@sslindustries.com

www.sslindustries.com