



Model No. SSL-1028



Model No. SSL-1143

Material

Formed 11 gauge / 304 stainless steel and Ø1" stainless steel solid round stock (no hollow or tubular components).

Design

Engineered with 22 formed hooks for the hanging of coats/frocks. Closed base (to avoid contact with the floor) and open base models available.

Construction

All contact points are TIG welded complete and the rack is fully assembled.

Finish

All components receive a dual-action medium Scotch-Brite finish and all welds are passivated.

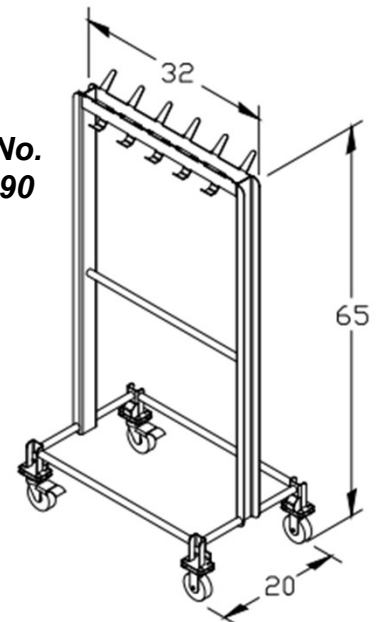
Footing

Paw Print or Casters – (2) 4" swivel with total locking brake & (2) 4" rigid casters with ½" stainless steel spacers and hardware

Design Options & Pricing

Model No.	Price / Ea. @ Qty:		
	1	5	10
SSL-1028 (Closed Base w/ Casters)	\$1,395	\$1,350	\$1,295
SSL-1143 (Open Base w/ Paw Print)	\$1,095	\$1,050	\$995
SSL-1390 (Open Base w/ Casters)	\$1,295	\$1,250	\$1,195

Model No.
SSL-1390



SSL Industries, LLC

Phone: (920) 893-2991

Get a Quote: sales@sslindustries.com

www.sslindustries.com