



**Model No. SSL-1271 Pictured**



### Material

Formed 11 gauge / 304 stainless steel and Ø1" stainless steel solid round stock (no tubular or hollow components).

### Top & Step

Features lasered holes all punched up for grip and tabbed kick plates around the perimeters.

### Construction

All contact points are TIG welded complete and the platform is fully assembled. Weight capacity = 1,000 lbs.

### Finish

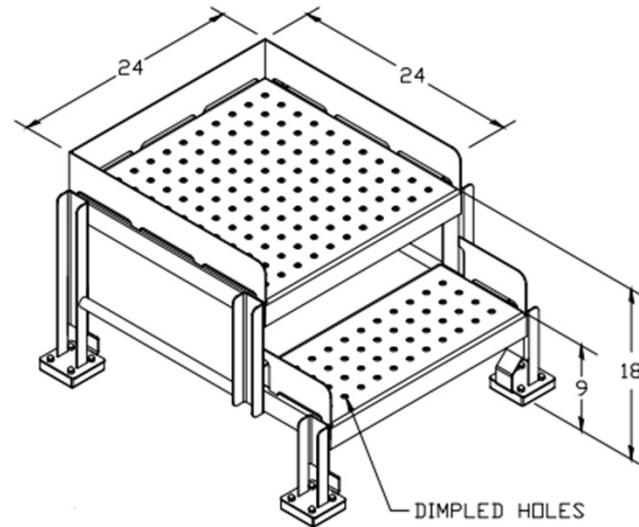
All components receive a dual-action medium Scotch-Brite finish and all welds are passivated.

### Footing

Standard platforms have Paw Print footing (pictured). Rubber non-skid pads, UHMW pads, or acetal pads are available upon request.

### Footing Options & Pricing

Model No.	Price / Ea. @ Qty:		
	1	5	10
SSL-1271 (w/ Paw Print)	\$1,595	\$1,550	\$1,495
SSL-1071 (w/ Rubber Pads)	\$1,640	\$1,595	\$1,540



**Model No. SSL-1071**

**SSL Industries, LLC**

Phone: (920) 893-2991

Get a Quote: [sales@sslindustries.com](mailto:sales@sslindustries.com)

[www.sslindustries.com](http://www.sslindustries.com)